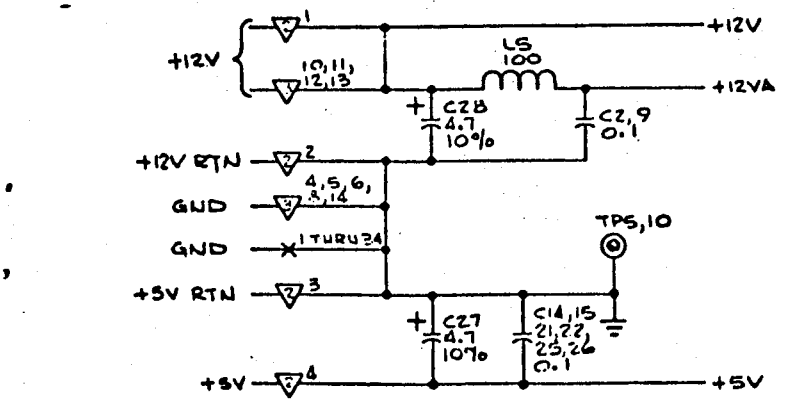


- NOTES: UNLESS OTHERWISE SPECIFIED,
1. ALL CAPACITORS ARE IN MICRO-FARADS, 50V, +80, -20%.
 2. ALL DIODES ARE 1N4148.
 3. ALL INDUCTORS ARE IN MICRO-HENRIES, 10%.
 4. ALL RESISTORS ARE IN OHMS, 1/4W, 5%.
 5. 0-0 INDICATES CUT TRACE OPTION.
 6. * INDICATES J1, ▽ INDICATES J2, ▽ INDICATES J3, ▽ INDICATES J4.
 7. COMPONENT NOT INSTALLED.
 8. RESISTOR PACK RPI IS 680Ω, RP2 IS 820Ω, RP3 IS 820Ω, AND RP4 IS 1K.
 9. R13 VALUE MAY BE 50K.

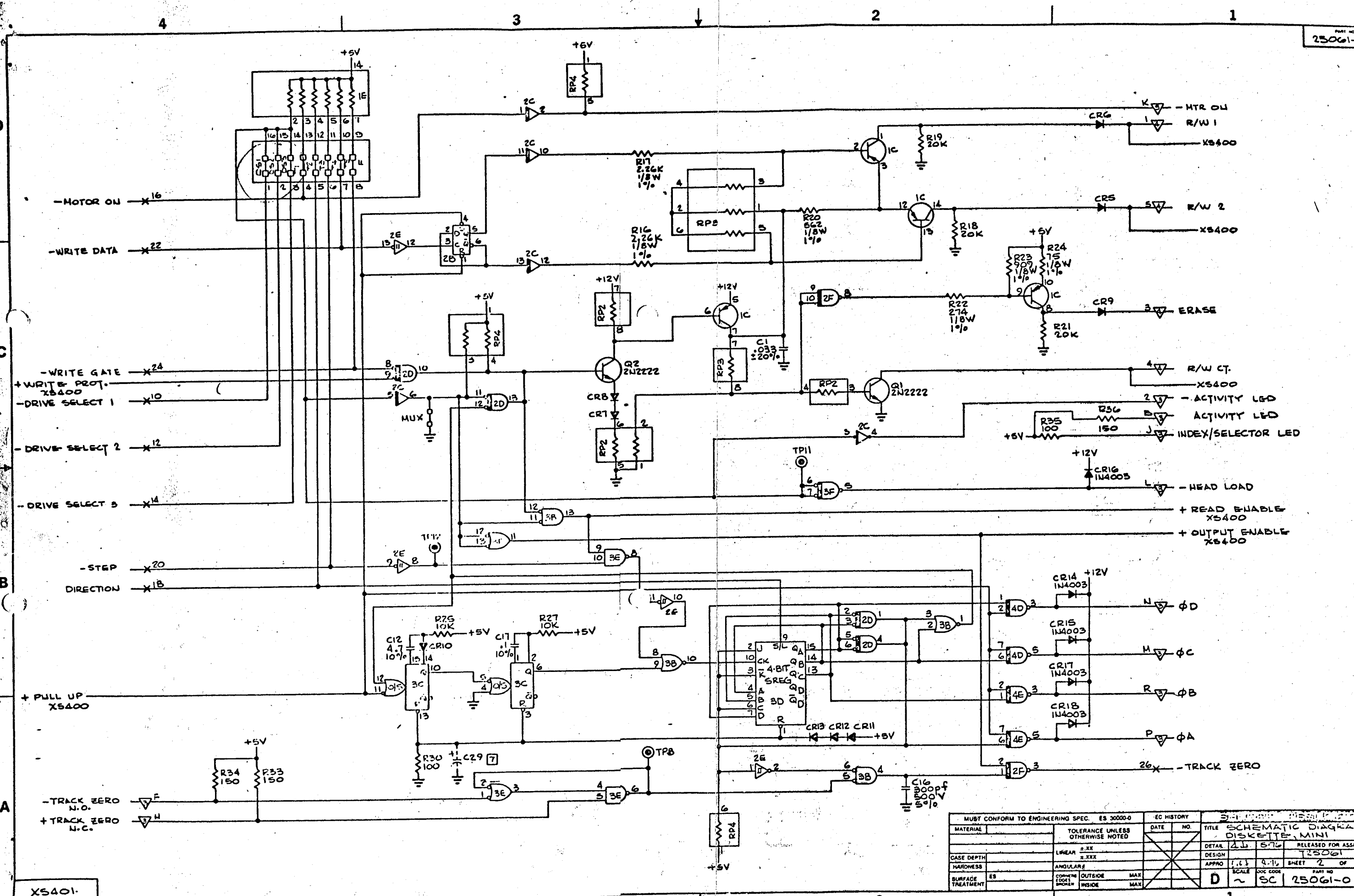


TYPE	POS.	UNUSED	VCC (PIN)	GND (PIN)	VDD (PIN)	TYPE	POS.	UNUSED	VCC (PIN)	GND (PIN)	VDD (PIN)
7400	3E		14	7	-	754538	3F		8	4	-
7402	3B		14	7	-	LM311N	4A		-	1	8
74LS14	2E		14	7	-	NE592A	3A		-	5	10
7407	2C	2C4	14	7	-	7486	4C	4C1, 2	14	7	-
7433	2D		14	7	-	9602	4B, 3C		16	8	-
7435	2F		14	7	-	2QT2221	2A		-	-	-
7474	2B		14	7	-	2QT2905	1C		-	-	-
74175	3D		16	8	-	150-Ω	1E		-	-	-
75452P	4D, 4E		8	4	-						

REF DESIGNATION LAST USED	REF DESIGNATION NOT USED
C30 CR18 LS R2 R36 RP4 TP12	C19, 20, 23, 24, 29, 50 (RESERVED)

MUST CONFORM TO ENGINEERING SPEC. EB 30000-0		EC HISTORY		TITLE SCHEMATIC DIAGRAM	
MATERIAL	TOLERANCE UNLESS OTHERWISE NOTED	DATE	NO.	DETAIL	RELEASED FOR ASSEMBLY
		8-76	0300	2/2/77	125061
CASE DEPTH	LINEAR ± XX	9-76	0615		
HARDNESS	ANGULAR ± XXX	10-76	0618		
SURFACE TREATMENT	CONFORMING TO SPEC. 20000-0		0628		
	OUTSIDE MAX	11-76	0643		
	INSIDE MAX				

XS400



MUST CONFORM TO ENGINEERING SPEC. ES 30000-0		EC HISTORY		TITLE	
MATERIAL	TOLERANCE UNLESS OTHERWISE NOTED	DATE	NO.	DATE	NO.
	LINEAR 2.XX			25061	1
	ANGULAR 2.XXX			25061	2
CASE DEPTH				25061	2
HARDNESS				25061	2
SURFACE TREATMENT	ES			25061-0	